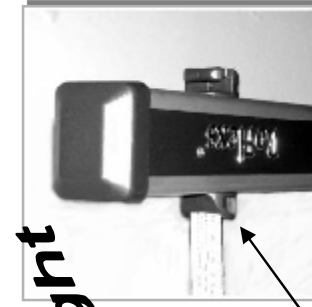
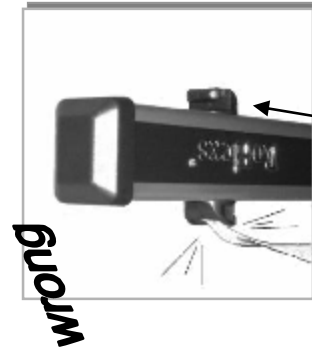
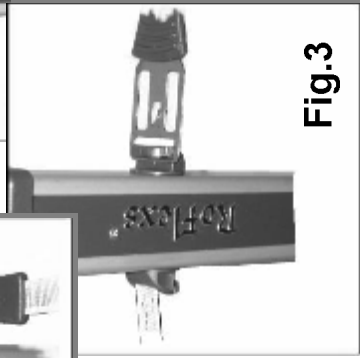
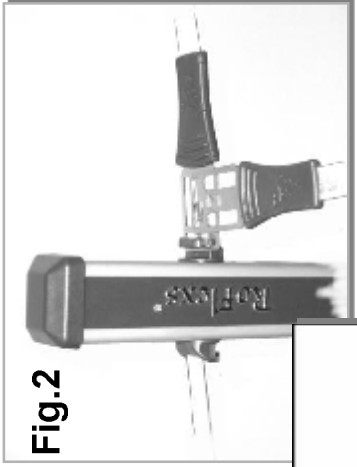
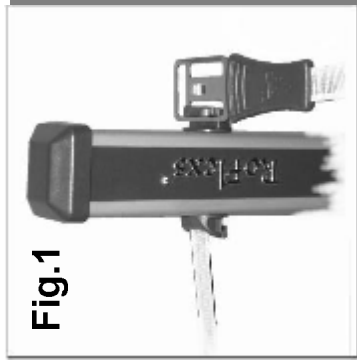


3. User Instructions

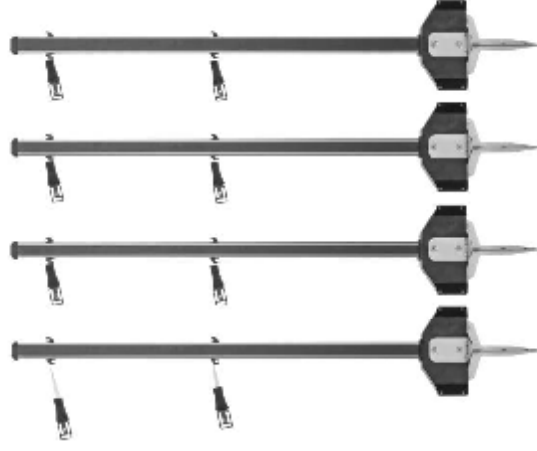


Attention!

Tapes must be pulled out in a virtually straight line. Tighter angles are achieved as in figure 1 above..

User Instructions

RoFlex Premium System



Thank you for trusting us by buying RoFlex products. The products have been manufactured based on strictest quality standards, to ensure the equipment working faultlessly.

1. Attention !

Before using the equipment please read these operating and safety instructions carefully. Failure to follow the safety instructions can lead to threat to life or health.

The manufacturer accepts no liability for usage in accordance with the operating instructions, or in case of unauthorized modification.

2. Description

RoFlexs products are manufactured for the agricultural and leisure sector. They are the appropriate equipment for professional partition of pastures and paddocks.

The fence tape can be pulled out up to max. 8 metres.

RoFlexs fencing enables creation of enclosures or paddock division with tremendous speed.

Dismantling is just as easy.

Assembling:

1. Place the first RoFlexs post in the ground using the footrest.
If erecting fence in a line, start with a 'stop end' post. If creating an enclosure that terminates at its origin, use a regular post, and place it with the tapes pointing in the direction from which you will return
2. Hang the clips/buckles of the next RoFlexs post on the free hooks bearing in mind the direction you are about to start the fence.. Walk out up to 8m and place the post in the ground as before. Do not tug hard on the tapes when at the end of their travel as this can break their frangible safety anchorages.
3. Continue as in step 2 until the line of fence is complete or you have returned within 8m of the origin. If returning to the origin, pull the tapes from the 1st post and connect them to the last.

Dismantling. Just do the opposite to assembly. Lift each post from the ground and walk towards the next so the tapes retract onto their reels. Do not wriggle the top of Premium posts more than 2 inches or 50mm in either direction to loosen the tapes or this will fatigue the ground spear.
Do not let the tapes retract in an uncontrolled manner as this can break the springs.

